

NEG ARG FIBER

Chopped Strands

H-950X Chopped Strands



H-950X chopped strands is a high integrity type of medium tex strands. It has excellent strand integrity to meet requirements of a conventional premix GRC. The medium tex strands can achieve a balanced performance with good moldability and reinforcing effect at high dosage.

■ Product Number

ACS13H-950X(20)/D ----- 13mm cut length

ACS25H-950X(20)/D ----- 25mm cut length

■ Product Specifications

Type of glass ----- Alkali Resistant glass

Nominal strand tex (g/1000m) ----- 78

Moisture content (%)* ----- ≤ 0.5

*Data measured by JIS (Japanese Industrial Standard)

■ Process

Premix, Casting

■ Applications

Premix Mortar

Glassfiber Reinforced Concrete

■ Expected Effect

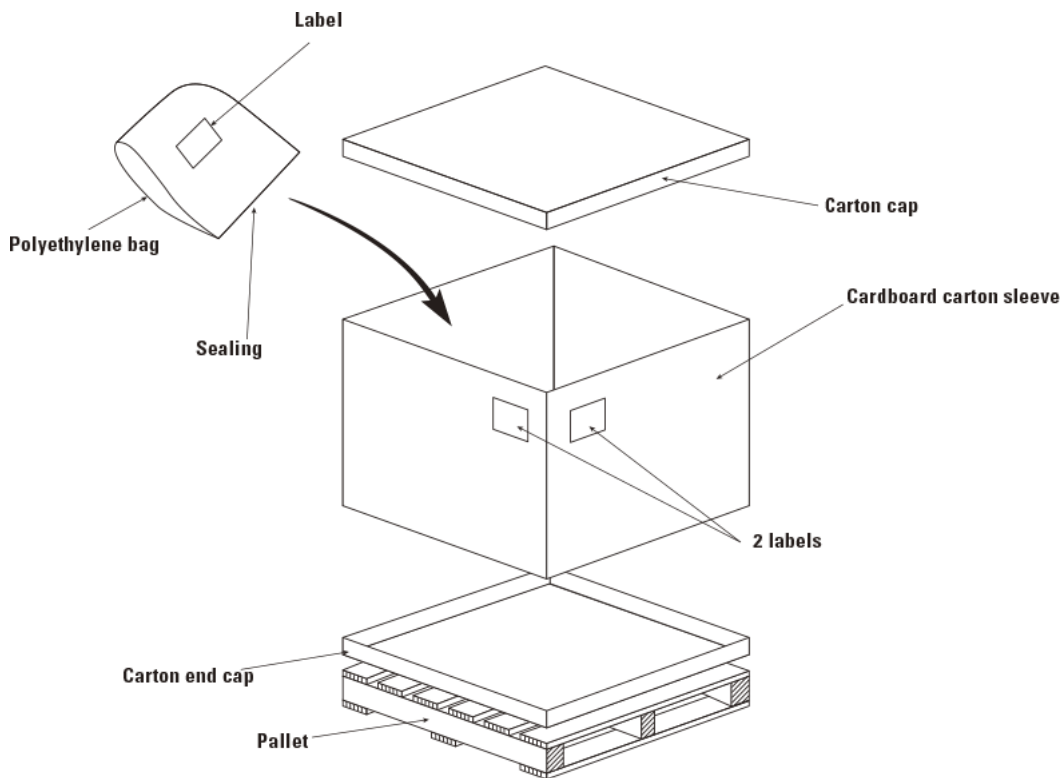
Disperses into strands and works for matrix reinforcement

■ Packaging Data

20 kg in a polyethylene bag

■ Palletizing Data

Product Number	Number of bags per pallet	Pallet Dimensions (mm)		
		Length	Width	Height
ACS13H-950X(20)/D	24	1100	1100	1100
ACS25H-950X(20)/D	20	1100	1100	1100



■ Storage Conditions

H-950X Chopped Strands should be stored in an upright position in a dry area in its original packaging.

H-950X Chopped Strand should be sheltered from the direct sunlight.