

NEG ARG FIBRE

Chopped Strands

ACS13H-103(20)/V



ACS13H-103(20)/V is made of glass, which contains the largest content of ZrO_2 commercially available.

ACS13H-103 is a integrity strand to meet the requirements of plastering mortar. Chopped fibres disperse as strands in a matrix of mortar, but they also disperse into individual filaments with longer mixing time.

■ Product Specifications

Type of Glass ————— Alkali Resistant glass
Nominal tex (g/1000m) ————— 78
Cut length (mm)* ————— 13
Moisture content (%)* ————— less than 0.5

*Data measured by JIS (Japanese Industrial Standard)

■ Process

Premix, Casting

■ Applications

Glass fibre reinforced concrete (GRC)
Premix mortar

■ GRC Products Using NEG ARG Fibre ACS13H-103 Include:

For Architecture

Roofing tile, render, etc.

For Other Application

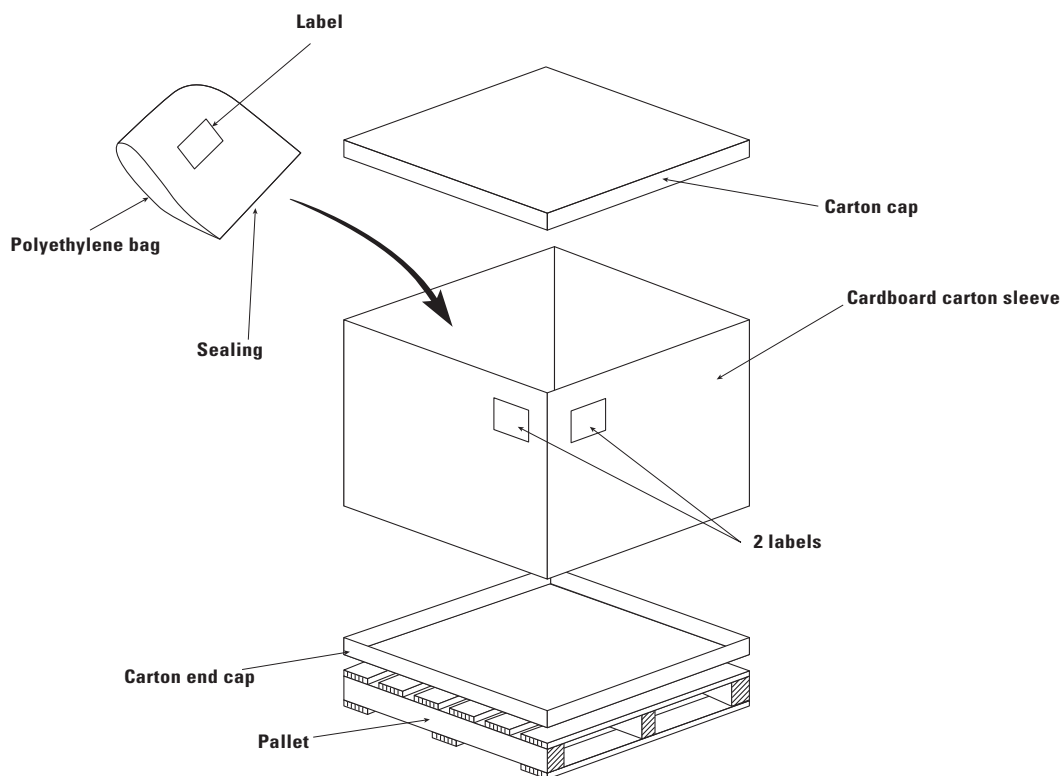
Garden furniture, etc.

■ Packaging Data

20 kg in a polyethylene bag

■ Palletizing Data

Number of packages/pallet	35
Pallet Dimensions (mm)	
Length	1440
Width	1150
Height	1070



■ Storage Conditions

ACS13H-103 should be stored in an upright position in a dry area in its original packaging.
ACS13H-103 should be sheltered from the direct sunlight.

* NEG reserves the right to change the features and specifications of its products without prior notice