

NEG ARG FIBRE

Chopped Strands

ACS13H-950X(20)/V



ACS13H-950X(20)/V is made of glass, which contains the largest content of ZrO_2 commercially available.

ACS13H-950X is a high integrity strand to meet the requirements of conventional "premix" products. Chopped fibres disperse as strands in a matrix of mortar. Excellent strand integrity also allows keeping good moldability of mortar containing glass fibres.

ACS13H-950X has quality approval by DIBt (Deutsches Institut für Bautechnik) No. Z-3.72-1730.

■ Product Specifications

| | |
|-----------------------|------------------------|
| Type of Glass | Alkali Resistant glass |
| Nominal tex (g/1000m) | 78 |
| Cut length (mm)* | 13 |
| Moisture content (%)* | less than 0.5 |

*Data measured by JIS (Japanese Industrial Standard)

■ Process

Premix, Casting

■ Applications

Glass fibre reinforced concrete (GRC)

■ GRC Products Using NEG ARG Fibre ACS13H-950X Include:

For Architecture

Sun Screen, balcony element, parapet panel, flooring, roofing tile, etc.

For Civil Engineering

Cable trough, water trough, etc.

For Other Application

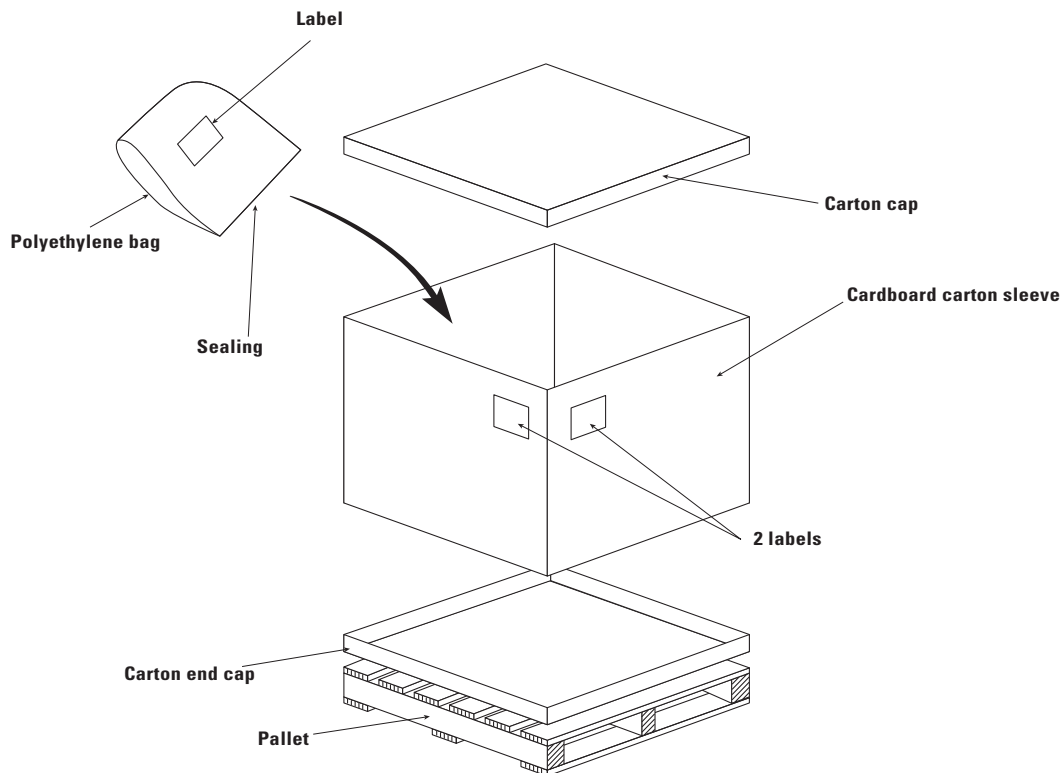
Garden furniture, artificial rock, fence, etc.

■ Packaging Data

20 kg in a polyethylene bag

■ Palletizing Data

| | |
|----------------------------------|------|
| Number of packages/pallet | 36 |
| Pallet Dimensions (mm) | |
| Length | 1440 |
| Width | 1150 |
| Height | 1070 |



■ Storage Conditions

ACS13H-950X should be stored in an upright position in a dry area in its original packaging.
ACS13H-950X should be sheltered from the direct sunlight.

* NEG reserves the right to change the features and specifications of its products without prior notice