

NEG ARG FIBRE

Chopped Strands

ACS13H-950Y(20)/V



ACS13H-950Y(20)/V is made of glass, which contains the largest content of ZrO₂ commercially available.

ACS13H-950Y is a high integrity strand to meet the requirements of conventional "premix" products. Chopped fibres disperse as strands in a matrix of mortar. The excellent strand integrity of ACS13H-950Y allows longer mixing time, and insures uniform dispersion in the matrix and stable bending strength of GRC. Strands with lower tex also allow the same bending strength of GRC with lower content of glass fibre.

ACS13H-950Y has quality approval by DIBt (Deutsches Institut für Bautechnik) No. Z-3.72-1730.

■ Product Specifications

Type of Glass	Alkali Resistant glass
Nominal tex (g/1000m)	40
Cut length (mm)*	13
Moisture content (%)*	less than 0.5

*Data measured by JIS (Japanese Industrial Standard)

■ Process

Premix, Casting

■ Applications

Glass fibre reinforced concrete (GRC)

■ GRC Products Using NEG ARG Fibre ACS13H-950Y Include:

For Architecture

Roofing tile, render, distribution box, etc.

For Civil Engineering

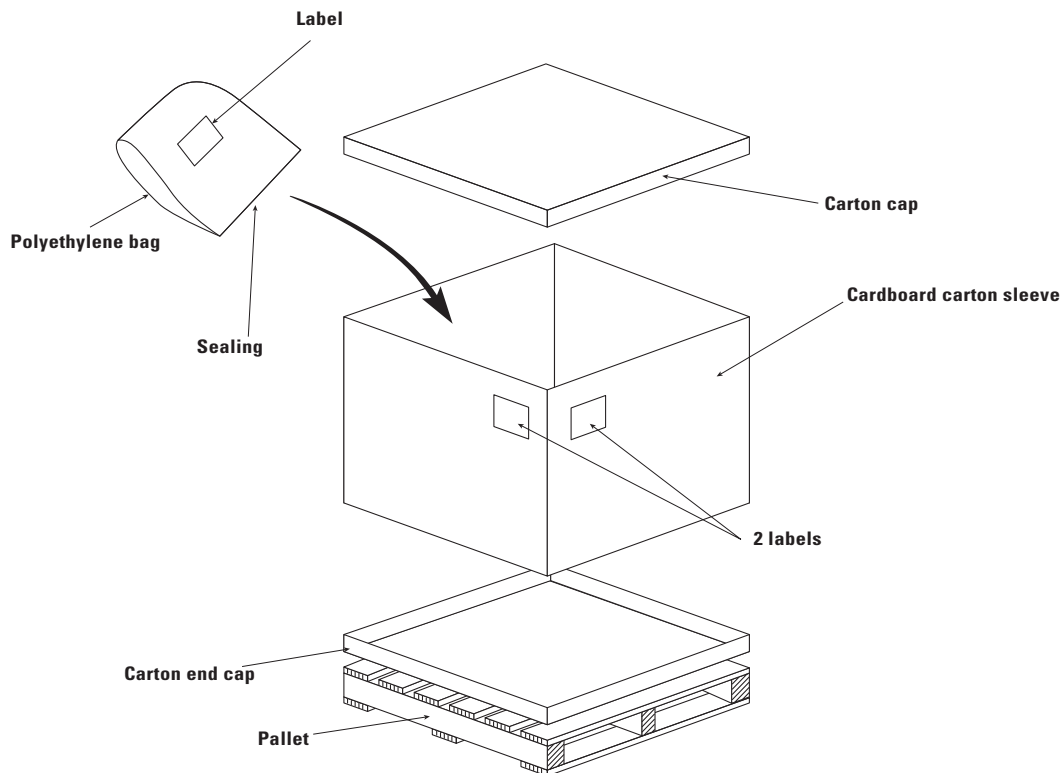
Cable trough, water trough, etc.

■ Packaging Data

20 kg in a polyethylene bag

■ Palletizing Data

Number of packages/pallet	30
Pallet Dimensions (mm)	
Length	1440
Width	1150
Height	1070



■ Storage Conditions

ACS13H-950Y should be stored in an upright position in a dry area in its original packaging.
ACS13H-950Y should be sheltered from the direct sunlight.

* NEG reserves the right to change the features and specifications of its products without prior notice