

NEG ARG FIBRE

Chopped Strands

AD13PS-750(20)/V



AD13PS-750(20)/V is made of glass, which contains the largest content of ZrO₂ commercially available.

AD13PS-750 is a water dispersible strand used for Hatschek process. Chopped fibres disperse as filaments in a matrix of dilute cement dispersion.

■ Product Specifications

Type of Glass	Alkali Resistant glass
Nominal diameter of filament (μm)*	18
Cut length (mm)*	13
Moisture content (%)*	7.5 +/- 5.0

*Data measured by JIS (Japanese Industrial Standard)

■ Process

Hatschek, Casting

■ Applications

Glass fibre reinforced calcium silicate

■ GRC Products Using NEG ARG Fibre AD13PS-750 Include:

For Architecture

Interior wall, etc.

For Other Application

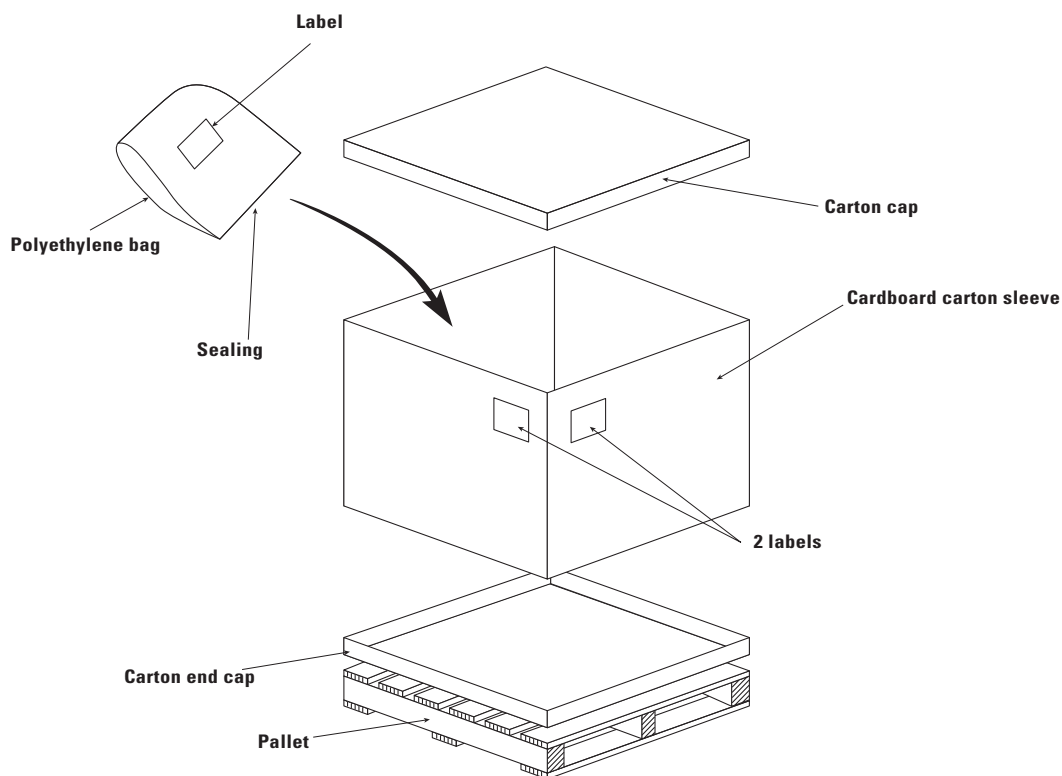
Insulation pipe, etc.

■ Packaging Data

20 kg in a polyethylene bag

■ Palletizing Data

Number of packages/pallet	50
Pallet Dimensions (mm)	
Length	1130
Width	1130
Height	960



■ Storage Conditions

AD13PS-750 should be stored in an upright position in a dry area in its original packaging.
AD13PS-750 should be sheltered from the direct sunlight.

* NEG reserves the right to change the features and specifications of its products without prior notice