

NEG ARG FIBRE

Chopped Strands

ACS13S-707(20)/V



ACS13S-707(20)/V is made of glass, which contains the largest content of ZrO_2 commercially available.

ACS13S-707 is a dry type water dispersible strand to meet the requirements of dry mix products. Chopped fibres disperse as filaments in a matrix of mortar or concrete.

■ Product Specifications

Type of Glass ——— Alkali Resistant glass
Nominal diameter of filament (μm)* ——— 13.5
Cut length (mm)* ——— 13
Moisture content (%)* ——— less than 0.5

*Data measured by JIS (Japanese Industrial Standard)

■ GRC Products Using NEG ARG Fibre ACS13S-707 Include:

For Architecture

Render, etc.

■ Process

Premix, Casting

■ Applications

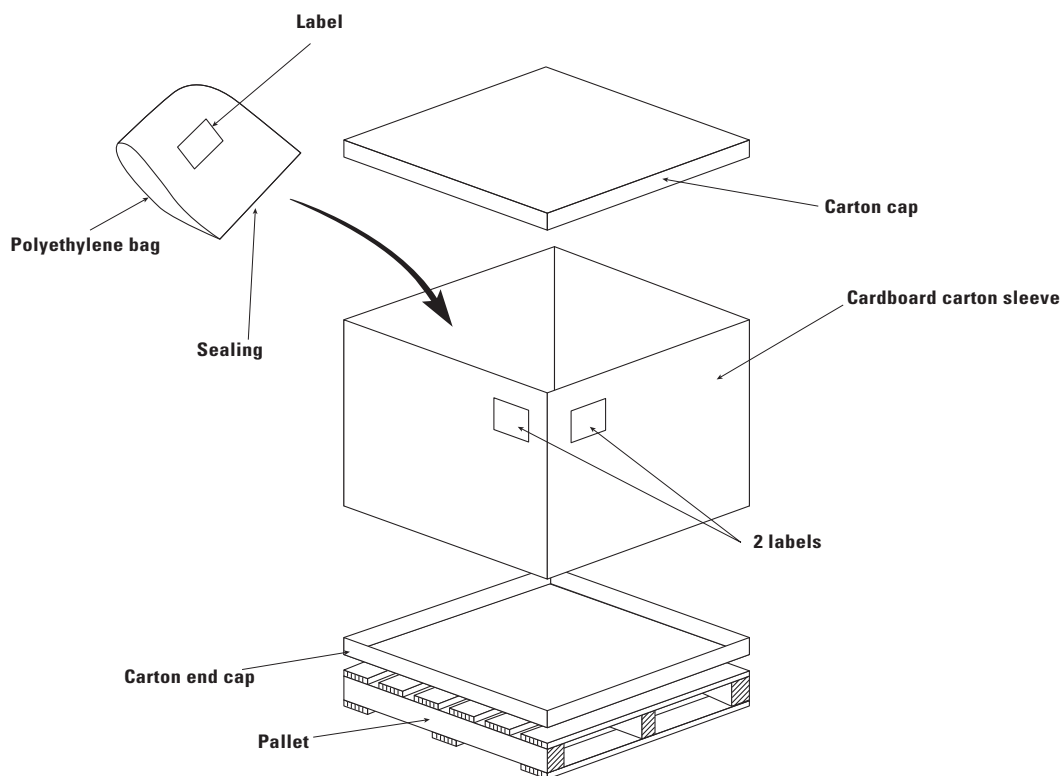
Crack control for concrete

■ Packaging Data

20 kg in a polyethylene bag

■ Palletizing Data

Number of packages/pallet	60
Pallet Dimensions (mm)	
Length	1440
Width	1150
Height	1070



■ Storage Conditions

ACS13S-707 should be stored in an upright position in a dry area in its original packaging.
ACS13S-707 should be sheltered from the direct sunlight.

* NEG reserves the right to change the features and specifications of its products without prior notice