

NEG ARG FIBRE

Chopped Strands

ACS13S-750(20)/V



ACS13S-750(20)/V is made of glass, which contains the largest content of ZrO_2 commercially available.

ACS13S-750 is a water dispersible strand used for Hatschek process. Chopped fibres disperse as filaments in a matrix of dilute cement dispersion.

■ Product Specifications

Type of Glass ——— Alkali Resistant glass
Nominal diameter of filament (μm)* ——— 13.5
Cut length (mm)* ——— 13
Moisture content (%)* ——— 7.5 +/- 5.0

*Data measured by JIS (Japanese Industrial Standard)

■ Process

Hatschek, Casting

■ Applications

Glass fibre reinforced calcium silicate

■ GRC Products Using NEG ARG Fibre ACS13S-750 Include:

For Architecture

Interior wall, ceiling, etc.

For Other Application

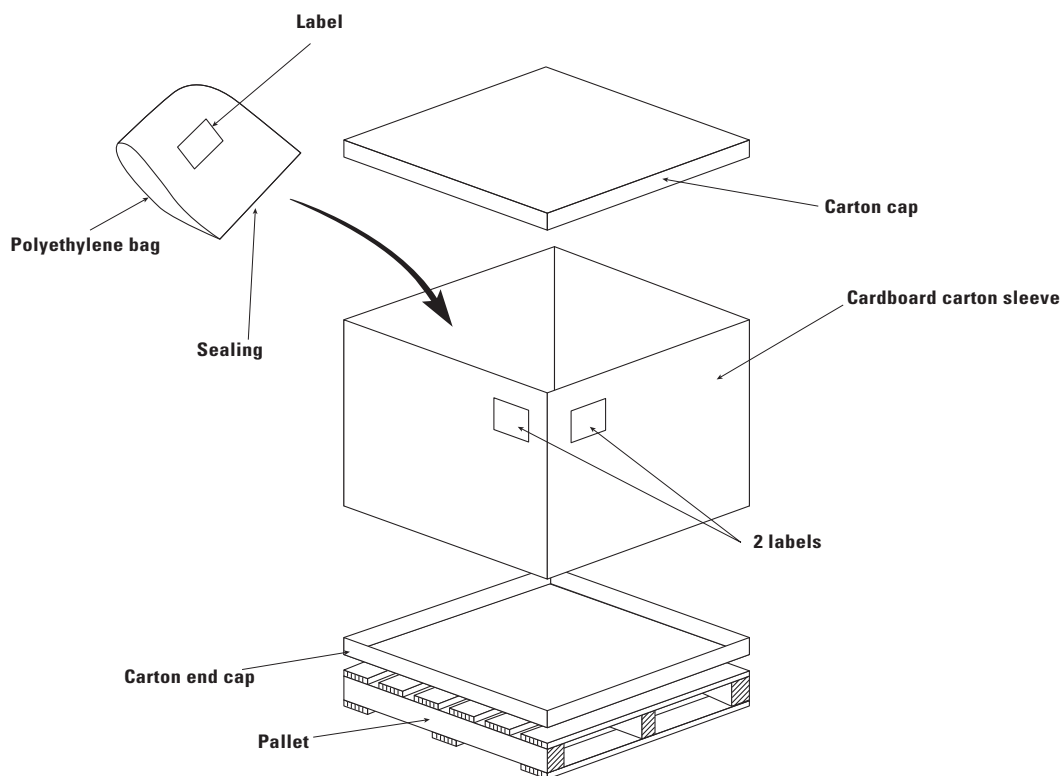
Insulation pipe, etc.

■ Packaging Data

20 kg in a polyethylene bag

■ Palletizing Data

Number of packages/pallet	50
Pallet Dimensions (mm)	
Length	1130
Width	1130
Height	960



■ Storage Conditions

ACS13S-750 should be stored in an upright position in a dry area in its original packaging.
ACS13S-750 should be sheltered from the direct sunlight.

* NEG reserves the right to change the features and specifications of its products without prior notice