

NEG ARG FIBRE

Chopped Strands

ACS25H-950X(20)/V



ACS25H-950X(20)/V is made of glass, which contains the largest content of ZrO_2 commercially available.

ACS25H-950X is a high integrity strand to meet the requirements of conventional "premix" products. Chopped fibres disperse as strands in a matrix of mortar. Excellent strand integrity allows keeping good moldability of mortar containing glass fibres.

ACS25H-950X has quality approval by DIBt (Deutsches Institut für Bautechnik) No. Z-3.72-1730.

■ Product Specifications

Type of Glass	Alkali Resistant glass
Nominal tex (g/1000m)	78
Cut length (mm)*	25
Moisture content (%)*	less than 0.5

*Data measured by JIS (Japanese Industrial Standard)

■ GRC Products Using NEG ARG Fibre ACS25H-950X Include:

For Architecture

Sun Screen, etc.

■ Process

Premix, Casting

■ Applications

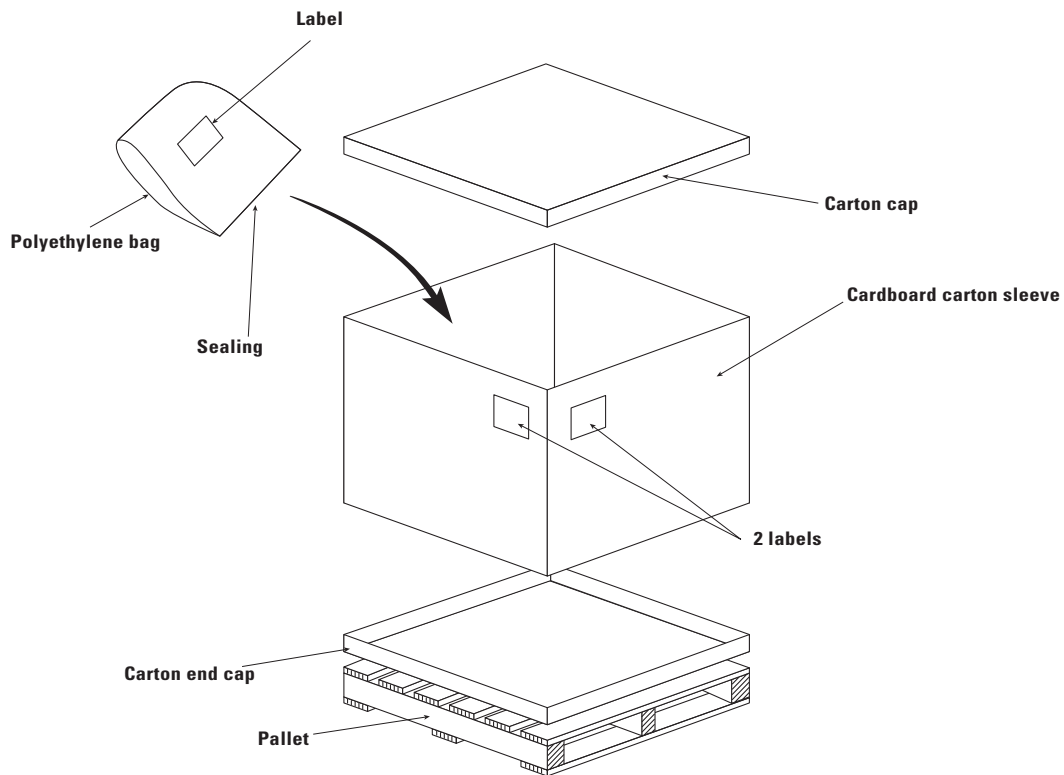
Glass fibre reinforced concrete (GRC)

■ Packaging Data

20 kg in a polyethylene bag

■ Palletizing Data

Number of packages/pallet	30
Pallet Dimensions (mm)	
Length	1440
Width	1150
Height	1070



■ Storage Conditions

ACS25H-950X should be stored in an upright position in a dry area in its original packaging.
ACS25H-950X should be sheltered from the direct sunlight.

* NEG reserves the right to change the features and specifications of its products without prior notice