

NEG ARG FIBRE

Chopped Strands

ACS25PH-950X(20)/V



ACS25PH-950X(20)/V is made of glass, which contains the largest content of ZrO₂ commercially available.

ACS25PH-950X is a high integrity strand to meet the requirements of conventional "premix" products. Chopped fibres disperse as strands in a matrix of mortar. The excellent strand integrity of ACS25PH950X allows longer mixing time, and insures uniform dispersion in the matrix and stable bending strength of GRC. Excellent strand integrity also allows keeping good moldability of mortar containing glass fibres regardless of varying mixing time.

ACS25PH-950X has quality approval by DIBt (Deutsches Institut für Bautechnik) No. Z-3.72-1730.

■ Product Specifications

Type of Glass	Alkali Resistant glass
Nominal tex (g/1000m)	138
Cut length (mm)*	25
Moisture content (%)*	less than 0.5

*Data measured by JIS (Japanese Industrial Standard)

■ Process

Premix, Casting

■ Applications

Glass fibre reinforced concrete (GRC)

■ GRC Products Using NEG ARG Fibre ACS25PH-950X Include:

For Architecture

Distribution box, balcony element, parapet panel, flooring, roofing tile, etc.

For Civil Engineering

Cable trough, water trough, etc.

For Other Application

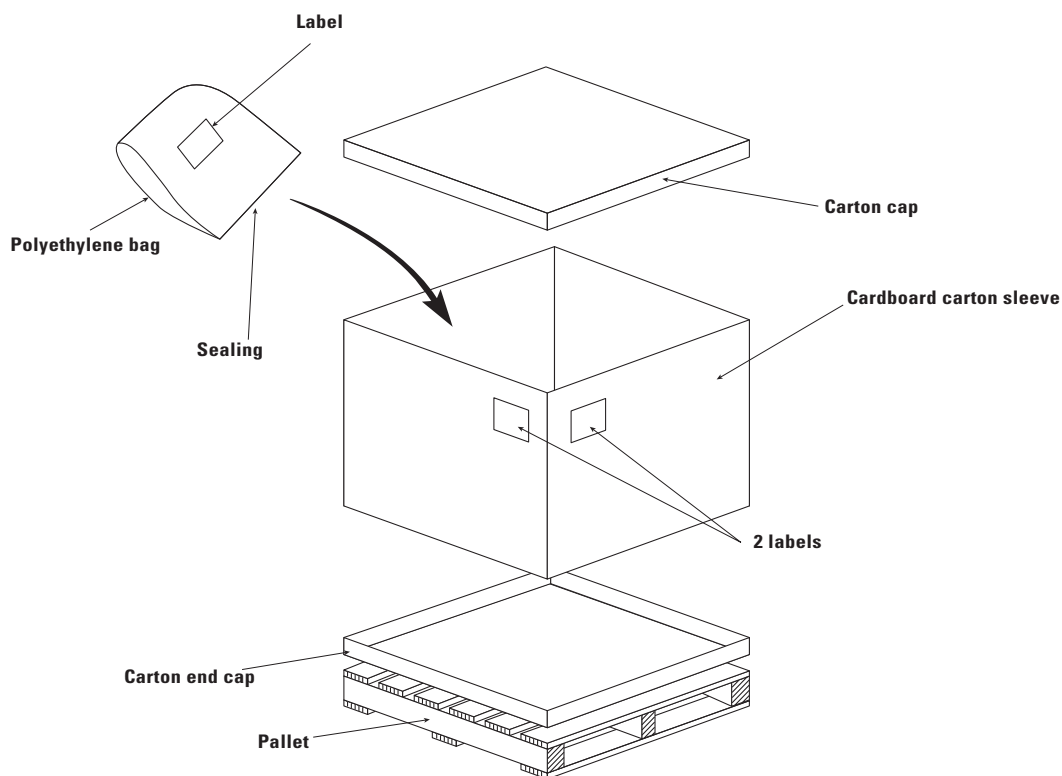
Garden furniture, artificial rock, fence, etc.

■ Packaging Data

20 kg in a polyethylene bag

■ Palletizing Data

Number of packages/pallet	36
Pallet Dimensions (mm)	
Length	1440
Width	1150
Height	1070



■ Storage Conditions

ACS25PH-950X should be stored in an upright position in a dry area in its original packaging.
ACS25PH-950X should be sheltered from the direct sunlight.

* NEG reserves the right to change the features and specifications of its products without prior notice