

## NEG ARG FIBRE

### Chopped Strands

### ACS6H-103(20)/V



ACS6H-103(20)/V is made of glass, which contains the largest content of  $ZrO_2$  commercially available.

ACS6H-103 is a integrity strand to meet the requirements of plastering mortar. Chopped fibres disperse as strands in a matrix of mortar, but they also disperse into individual filaments with longer mixing time.

#### ■ Product Specifications

**Type of Glass** ————— Alkali Resistant glass  
**Nominal tex (g/1000m)** ————— 78  
**Cut length (mm)\*** ————— 6  
**Moisture content (%)\*** ————— less than 0.5

\*Data measured by JIS (Japanese Industrial Standard)

#### ■ GRC Products Using NEG ARG Fibre ACS6H-103 Include:

##### **For Architecture**

Flooring, insulation wall, etc.

##### **For Other Application**

Garden furniture, etc.

#### ■ Process

Premix, Casting

#### ■ Applications

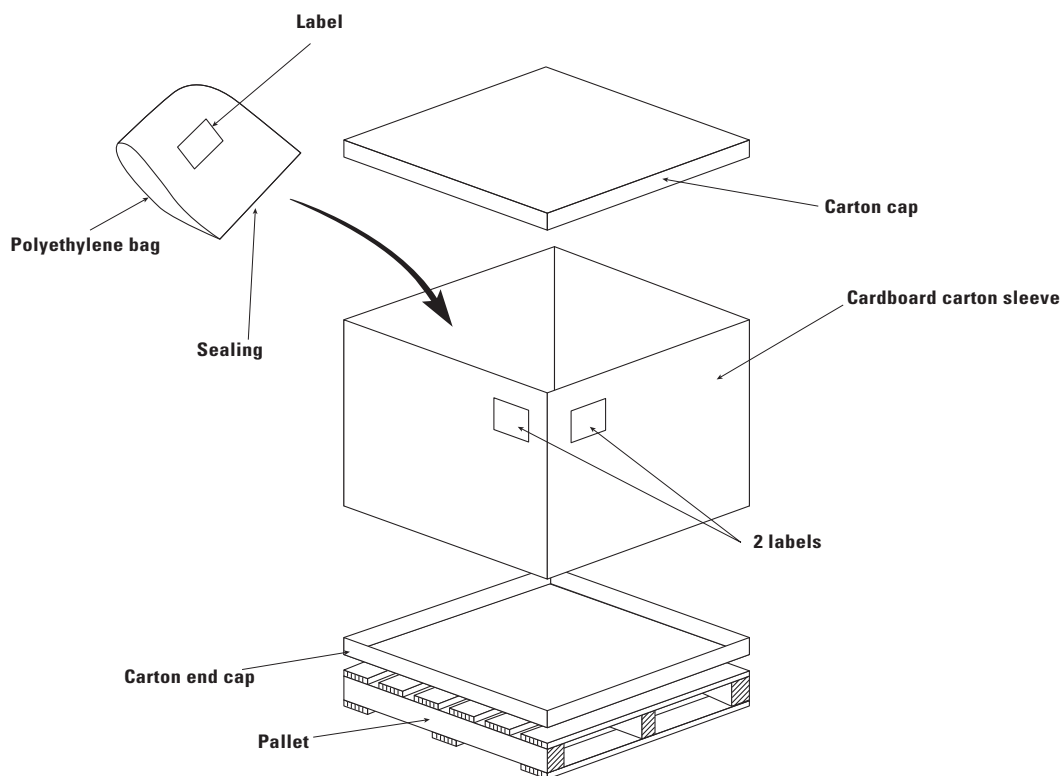
Premix mortar  
Glass fibre reinforced calcium silicate

### ■ Packaging Data

20 kg in a polyethylene bag

### ■ Palletizing Data

Number of packages/pallet	35
Pallet Dimensions (mm)	
Length	1440
Width	1150
Height	1070



### ■ Storage Conditions

ACS6H-103 should be stored in an upright position in a dry area in its original packaging.  
ACS6H-103 should be sheltered from the direct sunlight.

\* NEG reserves the right to change the features and specifications of its products without prior notice