

## NEG ARG FIBER

### Chopped Strands

### H-103 Chopped Strands



H-103 chopped strands are a loosely bound strand type so as to meet the dispersion requirements of plastering / rendering with cement mortar. The fiber strands are broken down into individual filaments during mixing, and works to prevent crack propagation even when used at a low dosage.

#### ■ Product Number

ACS6H-103(20)/D ----- 6mm cut length  
ACS9H-103(20)/D ----- 9mm cut length  
ACS13H-103(20)/D ----- 13mm cut length  
ACS25H-103(20)/D ----- 25mm cut length

#### ■ Product Specifications

Type of glass ----- Alkali Resistant glass  
Nominal strand tex (g/1000m) ----- 78  
Moisture content (%)\* -----  $\leq 0.5$

\*Data measured by JIS (Japanese Industrial Standard)

#### ■ Process

Premix, Casting

#### ■ Applications

Premix mortar  
Rendering  
Calcium silicate

#### ■ Expected Effect

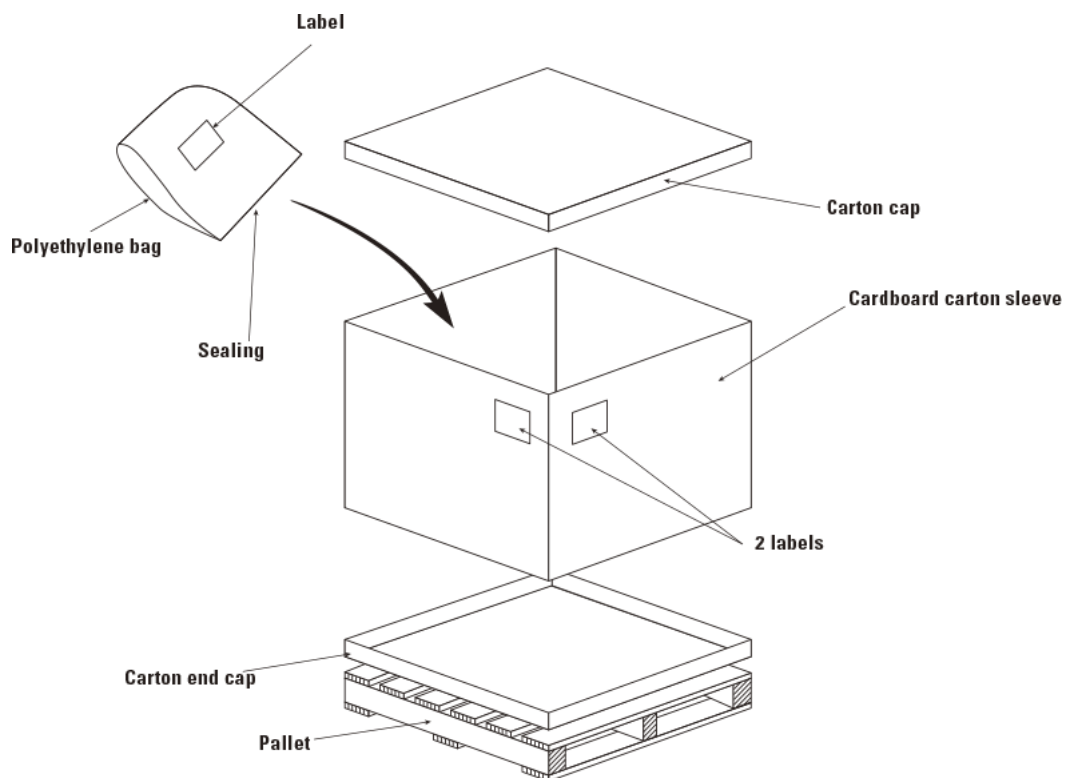
Disperses into filaments and works for crack control

### ■ Packaging Data

20 kg in a polyethylene bag

### ■ Palletizing Data

Product Number	Number of bags per pallet	Pallet Dimensions (mm)		
		Length	Width	Height
ACS6H-103(20)/D	24	1100	1100	1100
ACS9H-103(20)/D	24	1100	1100	1100
ACS13H-103(20)/D	24	1100	1100	1100
ACS25H-103(20)/D	18	1100	1100	1100



### ■ Storage Conditions

H-103 Chopped Strands should be stored in an upright position in a dry area in its original packaging.

H-103 Chopped Strand should be sheltered from the direct sunlight.