

## NEG ARG FIBER

### Chopped Strands

### H-950Y Chopped Strands



H-950Y chopped strands are a high integrity type of low tex strands. It has excellent strand integrity to meet requirements of conventional premix GRC. The low tex strands can give high strength at low dosage.

#### ■ Product Number

ACS6H-950Y(20)/D ----- 6mm cut length  
ACS13H-950Y(20)/D ----- 13mm cut length

#### ■ Product Specifications

Type of glass ----- Alkali Resistant glass  
Nominal strand tex (g/1000m) ----- 40  
Moisture content (%)\* -----  $\leq 0.5$

\*Data measured by JIS (Japanese Industrial Standard)

#### ■ Process

Premix, Casting

#### ■ Applications

Premix Mortar  
Glassfiber Reinforced Concrete

#### ■ Expected Effect

Disperses into strands and works for matrix reinforcement

#### ■ DIBt Certificate

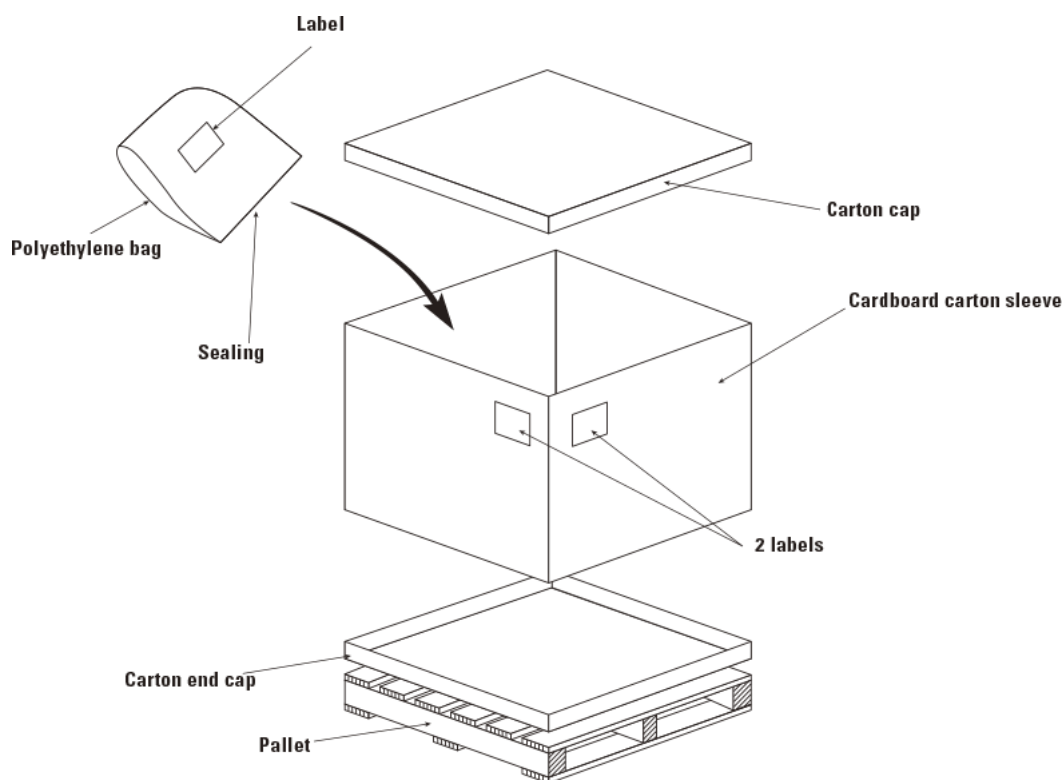
No. Z-3.72-1730

### ■ Packaging Data

20 kg in a polyethylene bag

### ■ Palletizing Data

Product Number	Number of bags per pallet	Pallet Dimensions (mm)		
		Length	Width	Height
ACS6H-950Y(15)/D	40	1100	1100	1100
ACS13H-950Y(20)/D	22	1100	1100	1100



### ■ Storage Conditions

H-950Y Chopped Strands should be stored in an upright position in a dry area in its original packaging.

H-950Y Chopped Strand should be sheltered from the direct sunlight.