

## NEG ARG FIBER

### Chopped Strands

### PH-950X Chopped Strands



PH-950X chopped strands is a high integrity and high tex design of the strands. It has excellent strand integrity to meet requirements of conventional premix GRC. The high tex strands can achieve excellent moldability and good reinforcing effect at high dosage.

#### ■ Product Number

ACS9PH-950X(20)/D ----- 9mm cut length  
ACS13PH-950X(20)/D ----- 13mm cut length  
ACS19PH-950X(20)/D ----- 19mm cut length  
ACS25PH-950X(20)/D ----- 25mm cut length

#### ■ Product Specifications

Type of glass ----- Alkali Resistant glass  
Nominal strand tex (g/1000m) ----- 138  
Moisture content (%)\* -----  $\leq 0.5$

\*Data measured by JIS (Japanese Industrial Standard)

#### ■ DIBt Certificate

No. Z-3.72-1730

#### ■ Process

Premix, Casting

#### ■ Applications

Glassfiber Reinforced Concrete

#### ■ Expected Effect

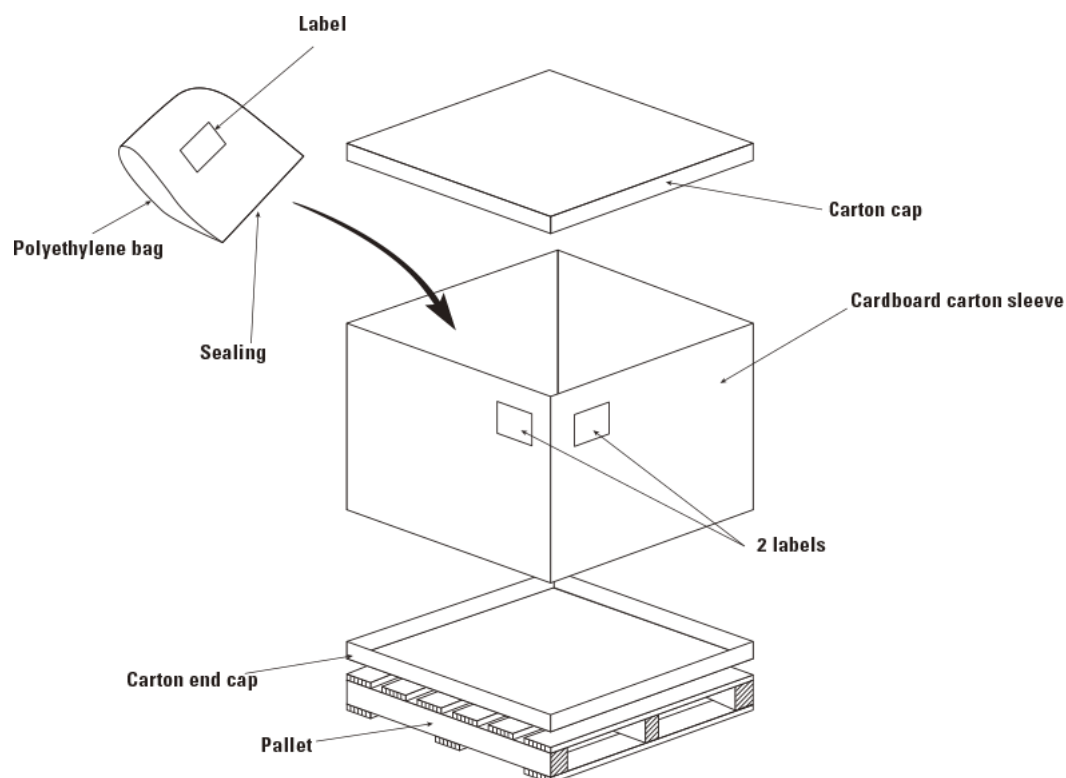
Disperses into strands and works for matrix reinforcement

### ■ Packaging Data

20 kg in a polyethylene bag

### ■ Palletizing Data

Product Number	Number of bags per pallet	Pallet Dimensions (mm)		
		Length	Width	Height
ACS9PH-950X(20)/D	24	1100	1100	1100
ACS13PH-950X(20)/D	24	1100	1100	1100
ACS19PH-950X(20)/D	24	1100	1100	1100
ACS25PH-950X(20)/D	24	1100	1100	1100



### ■ Storage Conditions

PH-950X Chopped Strands should be stored in an upright position in a dry area in its original packaging.

PH-950X Chopped Strand should be sheltered from the direct sunlight.