

NEG ARG FIBER

Chopped Strands

PS-750 Chopped Strands



PS-750 chopped strands is water dispersible type used for water rich cementitious slurry / cement mortar. It contains some moisture and immediately disperses well in water / cementitious slurry and works as crack control at low dosage. Its filament diameter is 18 micron which is higher than S-750 chopped strands.

■ Product Number

ACS13PS-750(20)/D ----- 13mm cut length

■ Product Specifications

Type of glass ----- Alkali Resistant glass

Filament diameter (μm) ----- 18

Moisture content (%)* ----- 7.5 ± 5.0

*Data measured by JIS (Japanese Industrial Standard)

■ Process

Hatschek, Casting

■ Applications

Concrete

Calcium Silicate

■ Expected Effect

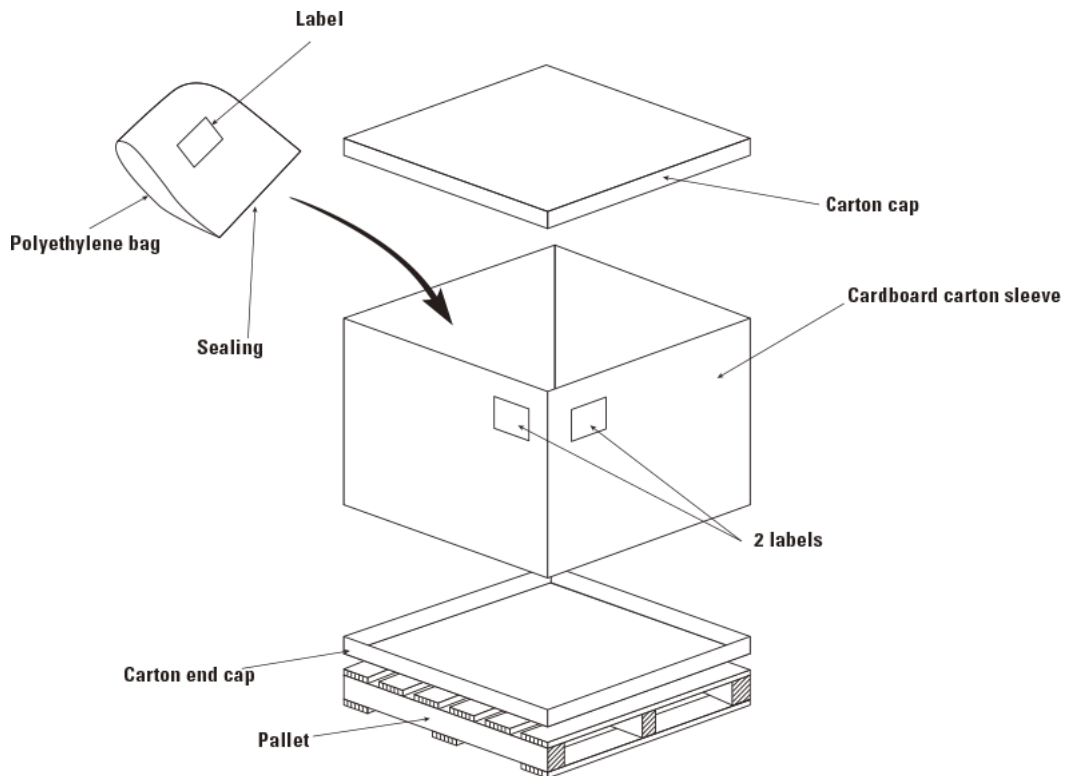
Disperses into filaments and works for crack control

■ Packaging Data

20 kg in a polyethylene bag

■ Palletizing Data

Product Number	Number of bags per pallet	Pallet Dimensions (mm)		
		Length	Width	Height
ACS13PS-750(20)/D	50	1100	1100	1100



■ Storage Conditions

PS-750 Chopped Strands should be stored in an upright position in a dry area in its original packaging.

PS-750 Chopped Strand should be sheltered from the direct sunlight.