

## NEG ARG FIBER

### Chopped Strands

### S-707 Chopped Strands



S-707 chopped strands is water dispersible type used for water rich cementitious slurry / cement mortar. It is a dry type with excellent water dispersible performance. It is suitable for dry mixing and performs well at crack control with a low dosage.

#### ■ Product Number

ACS13S-707(20)/D ----- 13mm cut length

#### ■ Product Specifications

**Type of glass** ----- Alkali Resistant glass

**Filament diameter (μm)** ----- 13.5

**Moisture content (%)**\* -----  $\leq 0.5$

\*Data measured by JIS (Japanese Industrial Standard)

#### ■ Process

Premix, Casting

#### ■ Applications

Premix

Mortar

Concrete

#### ■ Expected Effect

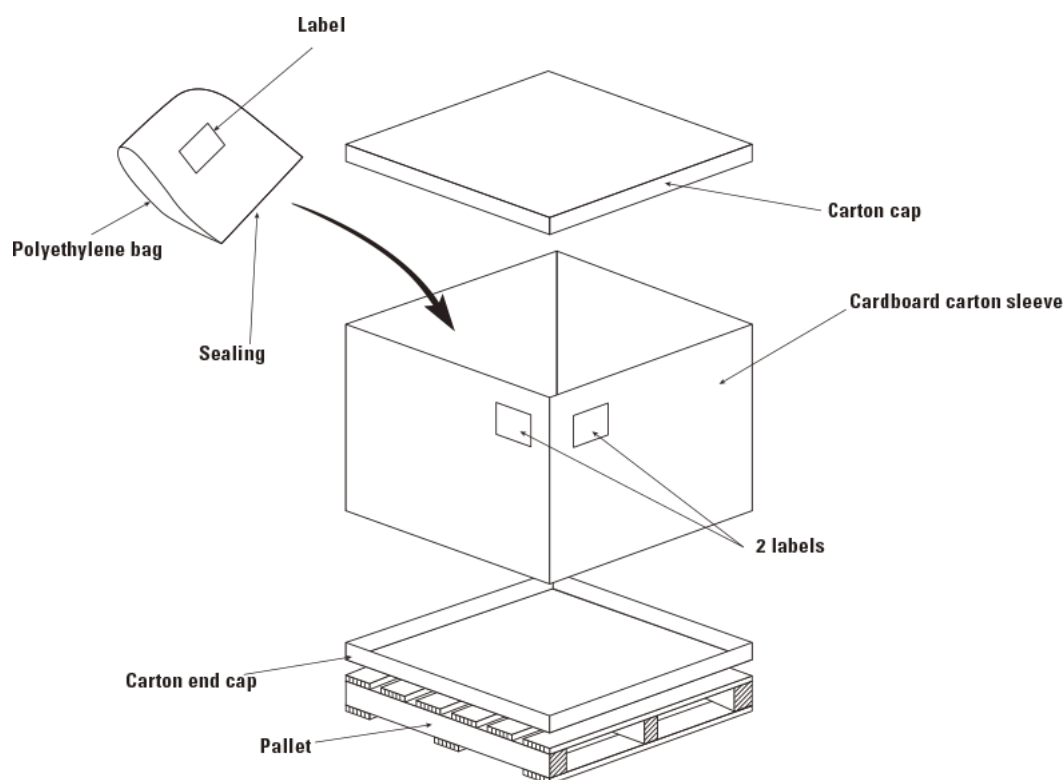
Disperses into filaments and works for crack control

### ■ Packaging Data

20 kg in a polyethylene bag

### ■ Palletizing Data

Product Number	Number of bags per pallet	Pallet Dimensions (mm)		
		Length	Width	Height
ACS13S-707(20)/D	40	1100	1100	1100



### ■ Storage Conditions

S-707 Chopped Strands should be stored in an upright position in a dry area in its original packaging.

S-707 Chopped Strand should be sheltered from the direct sunlight.