

## NEG ARG FIBER

### Chopped Strands

### S-750 Chopped Strands



S-750 chopped strands are a water dispersible type of fiber used for water rich cementitious slurry / cement mortar. It retains some moisture and immediately disperses in water / cementitious slurry and provides excellent crack control even at a low dosage.

#### ■ Product Number

ACS6S-750(20)/D ----- 6mm cut length  
ACS13S-750(20)/D ----- 13mm cut length  
ACS25S-750(20)/D ----- 25mm cut length

#### ■ Product Specifications

Type of glass ----- Alkali Resistant glass  
Filament diameter ( $\mu\text{m}$ ) ----- 13.5  
Moisture content (%)\* -----  $7.5 \pm 5.0$

\*Data measured by JIS (Japanese Industrial Standard)

#### ■ Process

Hatschek, Casting

#### ■ Applications

Concrete  
Calcium silicate

#### ■ Expected Effect

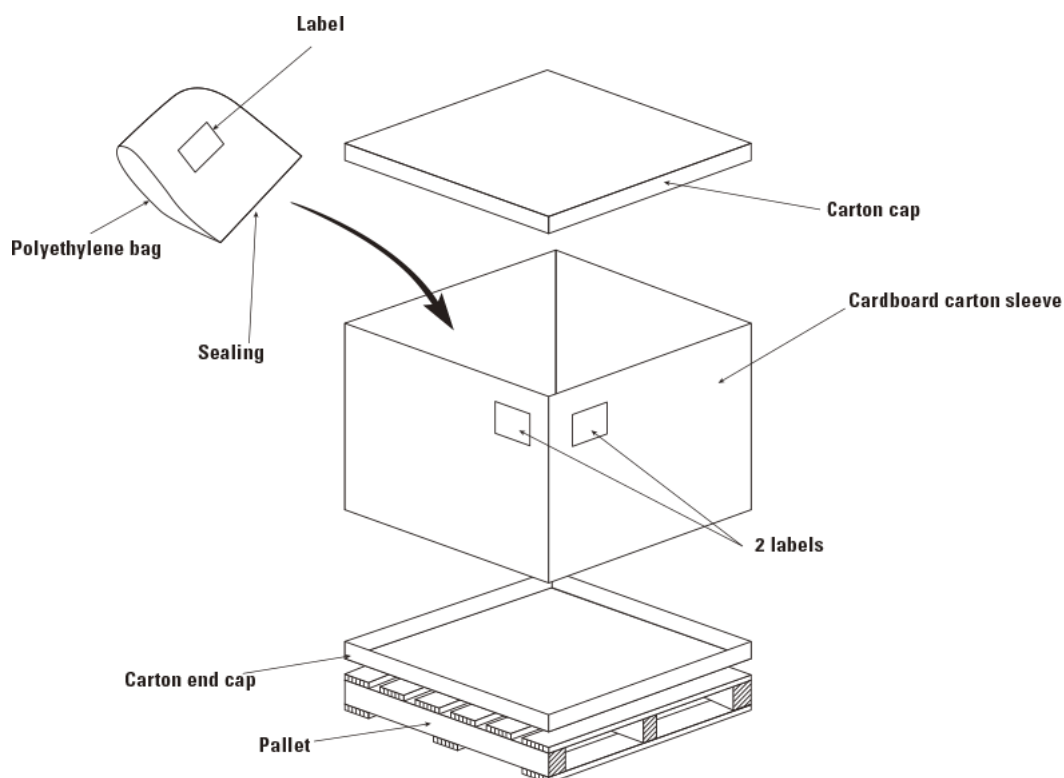
Disperses into filaments and works for crack control

### ■ Packaging Data

20 kg in a polyethylene bag

### ■ Palletizing Data

Product Number	Number of bags per pallet	Pallet Dimensions (mm)		
		Length	Width	Height
ACS6S-750(20)/D	50	1100	1100	1100
ACS13S-750(20)/D	50	1100	1100	1100
ACS25S-750(20)/D	50	1100	1100	1100



### ■ Storage Conditions

S-750 Chopped Strands should be stored in an upright position in a dry area in its original packaging.

S-750 Chopped Strand should be sheltered from the direct sunlight.