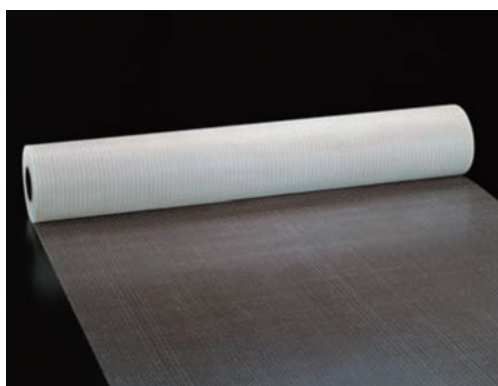


## NEG ARG FIBRE

# NET

# SC NET



SC NET is made of glass fibre, which contains the largest content of  $ZrO_2$  commercially available.

SC NET is a scrim for the use of reinforcement of mortar and concrete.

### ■ Product Specifications

**Type of Glass** ——— Alkali Resistant glass  
**Weight (g/m<sup>2</sup>)** ——— 80  
**Width (mm)** ——— 1050  
**Tensile strength (N/25 mm)** — more than 200

### ■ Products Using NEG ARG Fibre SC NET Include:

#### **For Architecture**

Exterior panels, plastering, etc.

### ■ Process

Plastering

### ■ Applications

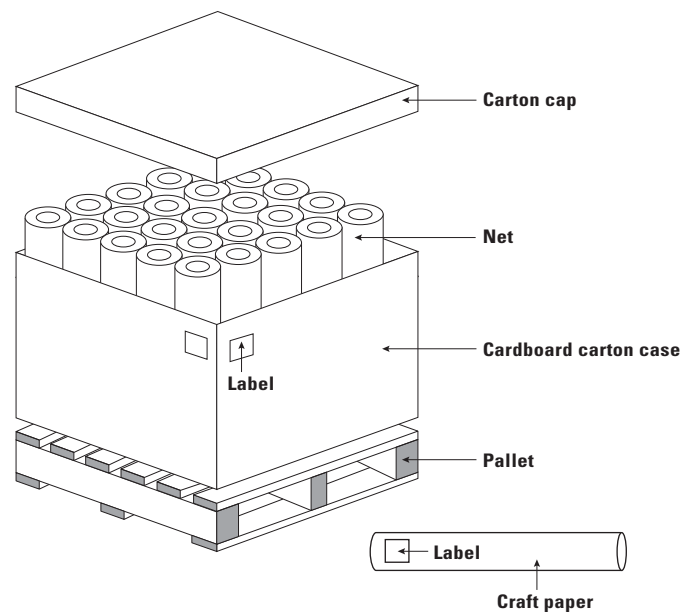
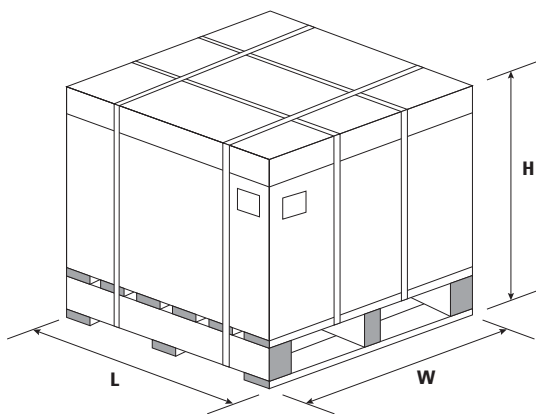
Mortar for plastering

## ■ Packaging Data

Length of roll ——— 50 m

## ■ Palletizing Data

|                                  |      |
|----------------------------------|------|
| <b>Number of packages/pallet</b> | 56   |
| <b>Pallet Dimensions (mm)</b>    |      |
| <b>Length</b>                    | 1130 |
| <b>Width</b>                     | 1130 |
| <b>Height</b>                    | 960  |



## ■ Storage Conditions

SC NET should be stored in an upright position in a dry area in its original packaging.  
SC NET should be sheltered from the direct sunlight.

\* NEG reserves the right to change the features and specifications of its products without prior notice