

Ball Lens Cap

Ball Lens Cap consists of a high-precision Micro Ball sealed in a cap made of sealing alloy with glass frit. You can choose the standard type for TO-56 and TO-46, depending on the desired application.

Properties

Glass Code	Refractive Index	
	1310nm	1550nm
BK-7	1.504	1.500
LaSF015	1.780	1.775

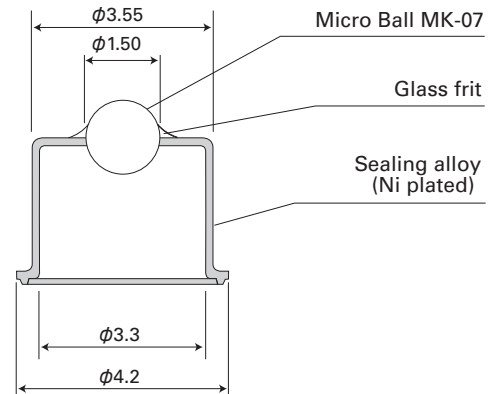


<MK-CAP>

MK-CAP provides high productivity and competitiveness with the use of our original glass manufactured consistently from glass melting, and it is the best solution for FTTH applications.

In addition, the newly developed RH-21 has an extremely high refractive index and significantly improves coupling efficiency, which contributes to miniaturization of modules.

Example (mm)



Properties

Glass Code	Refractive Index	
	1310nm	1550nm
MK-07	1.496	1.493
MK-18	1.775	1.771
RH-21	1.968	1.962