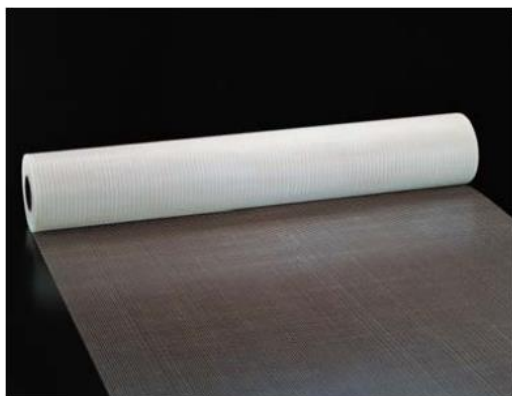


NEG ARG FIBER

NET

TD 5×5 (50B)



TD 5x5 is made of glass fiber, which contains the largest content of ZrO₂ commercially available.

TD 5x5 is a scrim for the use of reinforcement of mortar and concrete.

■ Product Specifications

Type of Glass ----- Alkali Resistant glass
Weight (g/m²) ----- 150
Width (mm) ----- 1000
Tensile strength (N/25mm) --- more than 500

■ Products Using NEG ARG Fiber TD 5x5 Included:

For Architecture

Exterior panels, plastering, etc.

■ Process

Plastering

■ Applications

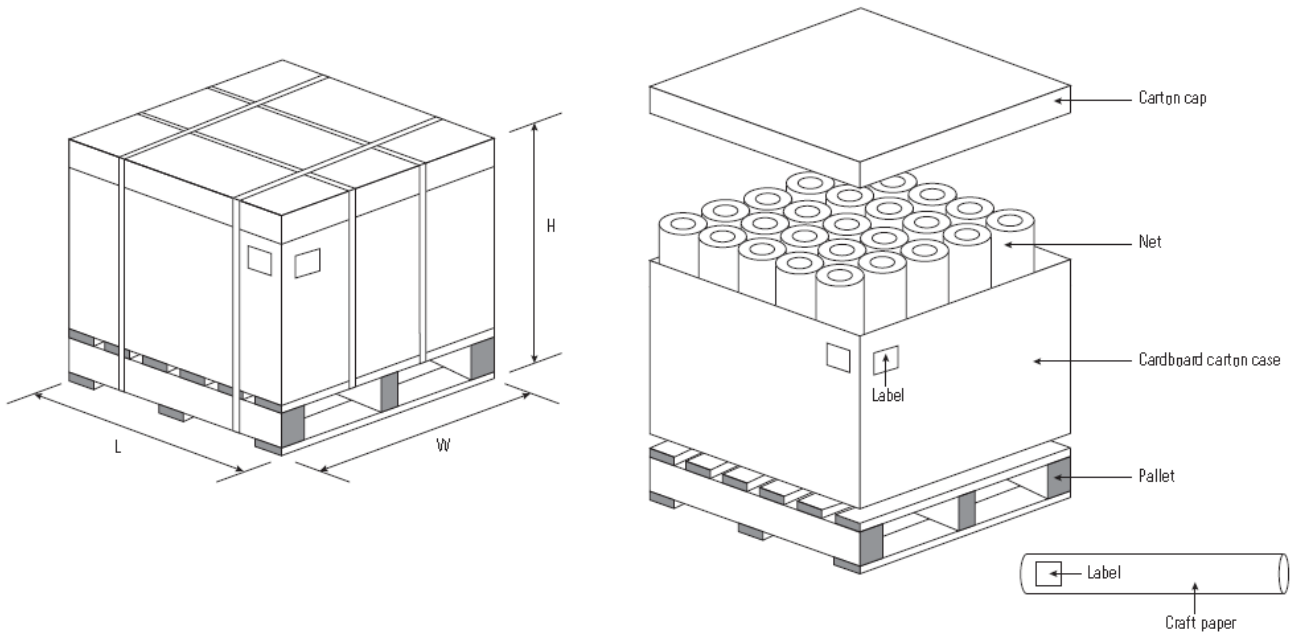
Mortar for plastering

■ Packaging Data

Length of roll ----- 50m

■ Palletizing Data

Number of packages/pallet	50
Pallet Dimensions (mm)	
Length (L)	1130
Width (W)	1130
Height (H)	1150



■ Storage Conditions

TD 5 × 5 should be stored in an upright position in a dry area in its original packaging.

TD 5 × 5 should be sheltered from the direct sunlight.

*NEG reserves the right to change the features and specifications of its products without prior notice.